

SC19035 Accelerometer interface module

Overview

The SC19035 accelerometer interface module is designed to connect the piezoelectric accelerometer or ICP accelerometer to the machinery protection system. It uses -18~-26VDC power of the system, supply and provides negative signal input to the system; it can provide 4mA to the accelerometer constant current source, measuring range up to $\pm 50g$, frequency response up to 30KHz.



Product Features

- Accept the negative power supply of the machinery protection system
- Provide 4mA constant current source to accelerometer
- Generate proper DC bias voltage for signal output
- BNC provides dynamic buffer signal of accelerometer
- Low impedance buffered output, long transmission distance
- Directly replace Bently's 24145 series modules
- Amplify the input vibration signal

Technical specifications

Input sensitivity: 10mV/g~100mV/g (customer can specify)

Frequency response: 5Hz~30KHz, $\pm 3dB$

Output paranoic voltage: $V_s/2$, half of the power supply voltage (V_s)

Output impedance: $< 10\Omega$

A constant current source: 4mA, $\pm 0.5mA$

Output noise: $< 10mV$

Power requirements: -18~-26VDC, current 24mA max, standard 18mA

Power supply sensitivity: The output signal changes less than 1% within the power supply voltage range

Accelerometer: piezoelectric accelerometer or ICP accelerometer

Operating temperature: $-40^\circ C \sim +100^\circ C$

Temperature sensitivity: the output signal changes less than 1% within the operating temperature

Storage temperature: $-50^\circ C \sim +100^\circ C$

Humidity: 95%RH (non-condensing)

Wiring: terminal form

SC19035 Accelerometer interface module

Order Guide SC19035-AA

AA ... Gain multiple

00 ... Input signal is not amplified, input 100mV/g, output 100mV/g

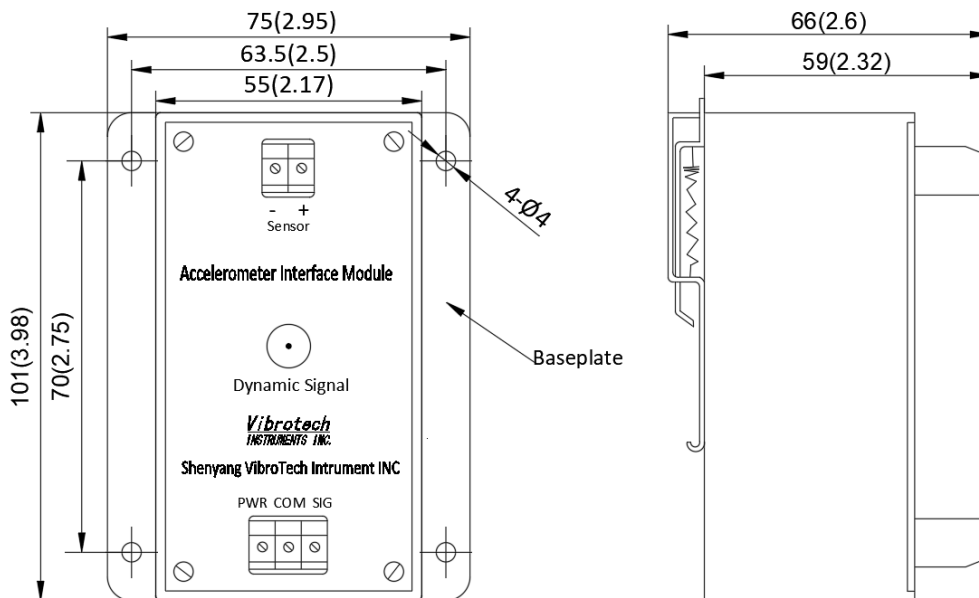
01 ... 10 times input signal amplification, input 10mV/g, output 100mV/g (replace Bently 24145-02)

02 ... 2 times input signal amplification, input 50mV/g, output 100mV/g

33 ... 3.33 times input signal amplification, input 30mV/g, output 100mV/g (replace Bently 24145-XX)

04 ... 4 times input signal amplification, input 25mV/g, output 100mV/g

Dimensions



Unit: mm(in)

Wiring diagram

